

Ford Focus 2001 to 2004

Key to circuits

Diagram 1: Information for wiring diagrams

Diagram 2: Starting, charging & engine cooling fan

Diagram 3: Head, side, tail & number plate lights

Diagram 4: Stop & reversing lights

Diagram 5: Front & rear foglights, direction indicators, hazard warning lights, trailer socket

Diagram 6: Headlight levelling, clock & cigar lighter

Diagram 7: Interior illumination, switch illumination & horn

Diagram 8: Instrument cluster, trip computer

Diagram 9: Wash/wipe, headlight washer & heated washer jets and electric mirrors

Diagram 10: Central locking, electric windows

Diagram 11: Heated front & rear screen

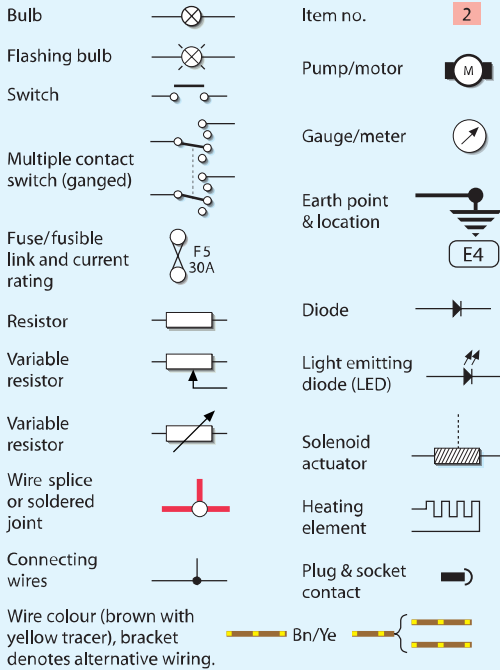
Diagram 12: Heater blower & recirculation, electric mirrors, seat height adjustment

Diagram 13: Sunroof, SRS system, audio system

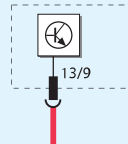
Diagram 14: ABS/TCS/ESP, cruise control

Diagram 15: Additional heating (diesel models), parking aid, heated seats

Key to symbols



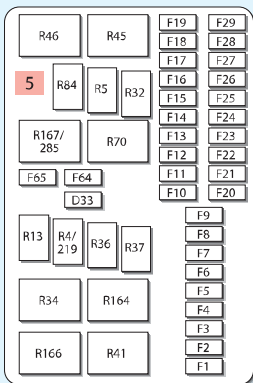
Dashed outline denotes part of a larger item, containing in this case an electronic or solid state device. e.g. connector no. 13, pin 9.



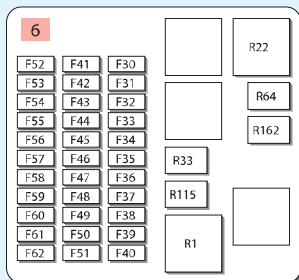
Earth locations

- | | |
|--|---|
| E 1 Behind LH headlight | E 37 LH inner wing |
| E 8 On cylinder head | E 41 RH 'A' pillar |
| E 14 LH 'A' pillar | E 46 Luggage compartment (rear panel or behind LH rear light) |
| E 15 RH 'A' pillar | E 47 LH side luggage compartment |
| E 24 RH 'A' pillar | E 53 RH 'A' pillar |
| E 27 RH 'A' pillar | E 55 LH inner wing |
| E 34 Tailgate (RH side of rear window) | E 57 LH front engine compartment |
| E 35 Tailgate (near lock button) | E 63 Behind centre dash panel |

Engine fusebox



Passenger fusebox



Engine compartment fuses 5

Fuse	Rating	Circuit protected
F1	40A	Main power supply
F2	-	Not used
F3	40A	Glow plug heater 2
F4	50A	Heated front screen
F5	60A	Diesel glow plugs
F6	30A	Engine cooling fan (air conditioning)
F7	40A	Main power supply
F8	30A	Ignition
F9	20A	Engine management
F10	1A	Battery voltage sensor
F11	30A	ABS pump
F12	15A	Fuel pump, Diesel injection pump
F13	30A	Headlight washer
F14	10A	Daytime running lights (parking lights)
F15	10A	Air conditioning clutch solenoid
F16	15A	LH dipped beam
F17	15A	RH dipped beam
F18	10A	Lambda sensor
F19	-	Not used
F20	10A	Engine management
F21	20A	ABS
F22	20A	Daytime running lights (xenon headlights)
F23	20A	Auxiliary heater (Diesel engine)
F24	30A	Glow plug heater 1
F25	15A	Daytime running lights (conventional headlights)
F26	10A	LH main beam
F27	10A	RH main beam
F28	10A	Heated front screen, Diesel fuel fired heater, Diesel engine
F29	30A	Engine cooling fan (air conditioning)
F64	30A	Heater blower motor
F65	30A	Engine cooling fan

Passenger compartment fuses 6

Fuse	Rating	Circuit protected
F30	10A	Light switch
F31	15A	Audio
F32	15A	Direction indicators (GEM)
F33	20A	Horn, seat height adjustment
F34	20A	Sunroof
F35	7.5A	Interior lights, electric mirrors
F36	7.5A	Electronic modules, instrument cluster, clock
F37	25A	Electric windows, global closing system LH side
F38	25A	Electric windows, global closing system LH side
F39	-	-
F40	10A	Reversing light (automatic transmission)
F41	7.5A	Radio (accessory), instrument cluster
F42	15A	Stop lights
F43	15A	Electric windows, rear wiper, switch illumination
F44	20A	Front & rear foglights
F45	7.5A	Air conditioning, recirculated air
F46	7.5A	ABS module
F47	15/20A	Cigar lighter, accessory socket, trailer control unit
F48	10A	Diagnostic connector
F49	25A	Heated rear screen
F50	7.5A	Heated mirrors
F51	-	Not used
F52	15A	Heated front seats
F53	10A	Reversing lights (manual transmission), heated washer jets, headlight levelling (with xenon headlight), cruise control
F54	-	Not used
F55	25A	Front electric windows
F56	20A	Front screen wiper
F57	7.5A	RH side light
F58	7.5A	LH side light
F59	10A	Light switch
F60	7.5A	Air bag module
F61	7.5A	Electronic modules, instrument cluster, clock
F62	7.5A	Number plate lights
F63	20A	Central locking

Wire colours

Bk Black	Vt Violet
Gn Green	Rd Red
Pk Pink	Gy Grey
Lg Light green	Bu Blue
Bn Brown	Wh White
Og Orange	Ye Yellow
Na Natural	Sr Silver

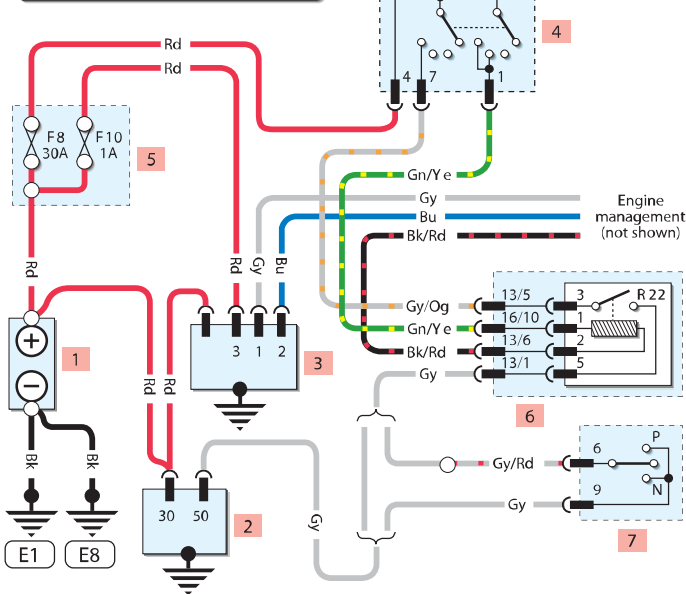
Key to items

- | | |
|----------------------------|---|
| 1 Battery | 6 Passenger fusebox |
| 2 Starter motor | R22 = starter relay |
| 3 Alternator | 7 Starter inhibitor switch (auto) |
| 4 Ignition switch | 8 Engine cooling fan |
| 5 Engine fusebox | 9 Cooling fan run-on switch (1.8/2.0 petrol only) |
| R13 = power hold relay | 10 In-line fuse |
| R45 = fan relay | 11 Secondary engine cooling fan |
| R46 = high speed fan relay | 12 Engine cooling fan resistor |
| D33 = diode | |

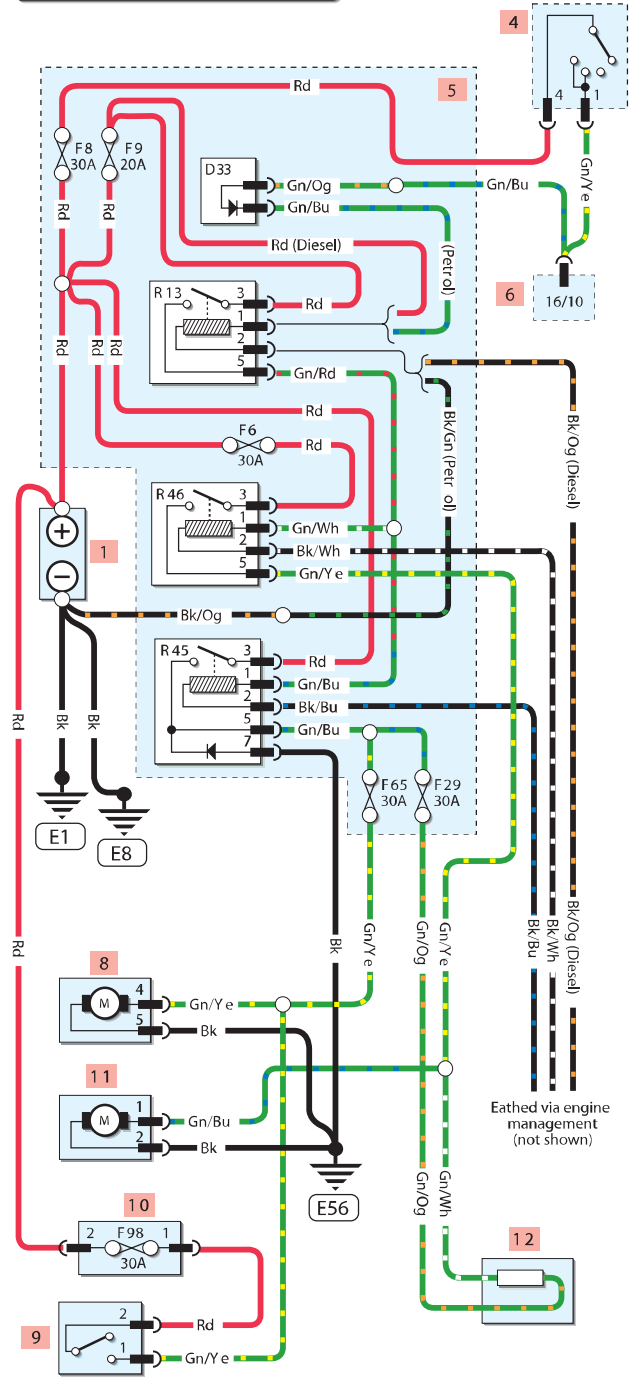
Diagram 2

H32894

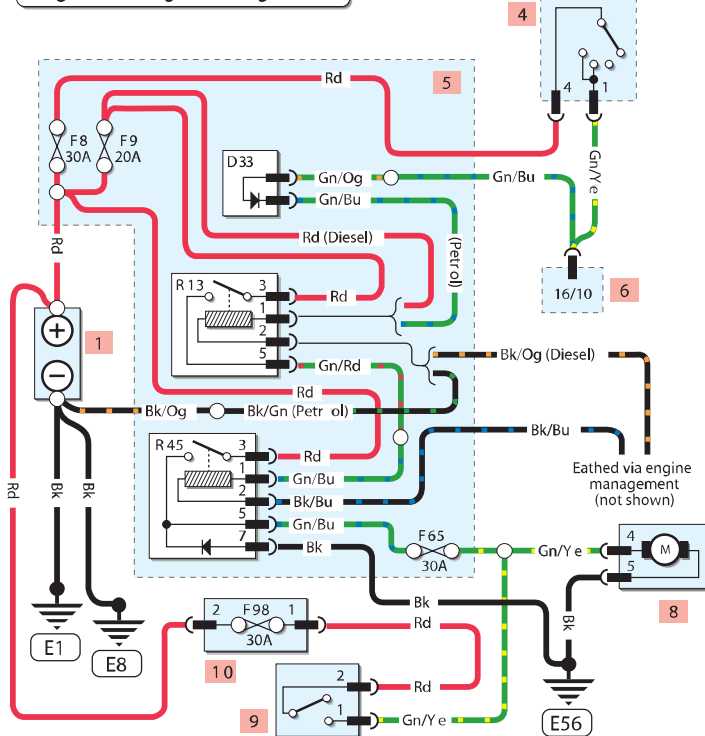
Starting & charging system



Engine cooling fan - twin fan



Engine cooling fan - single fan



Wire colours

Bk Black	Vt Violet
Gn Green	Rd Red
Pk Pink	Gy Grey
Lg Light green	Bu Blue
Bn Brown	Wh White
Og Orange	Ye Yellow
Na Natural	Sr Silver

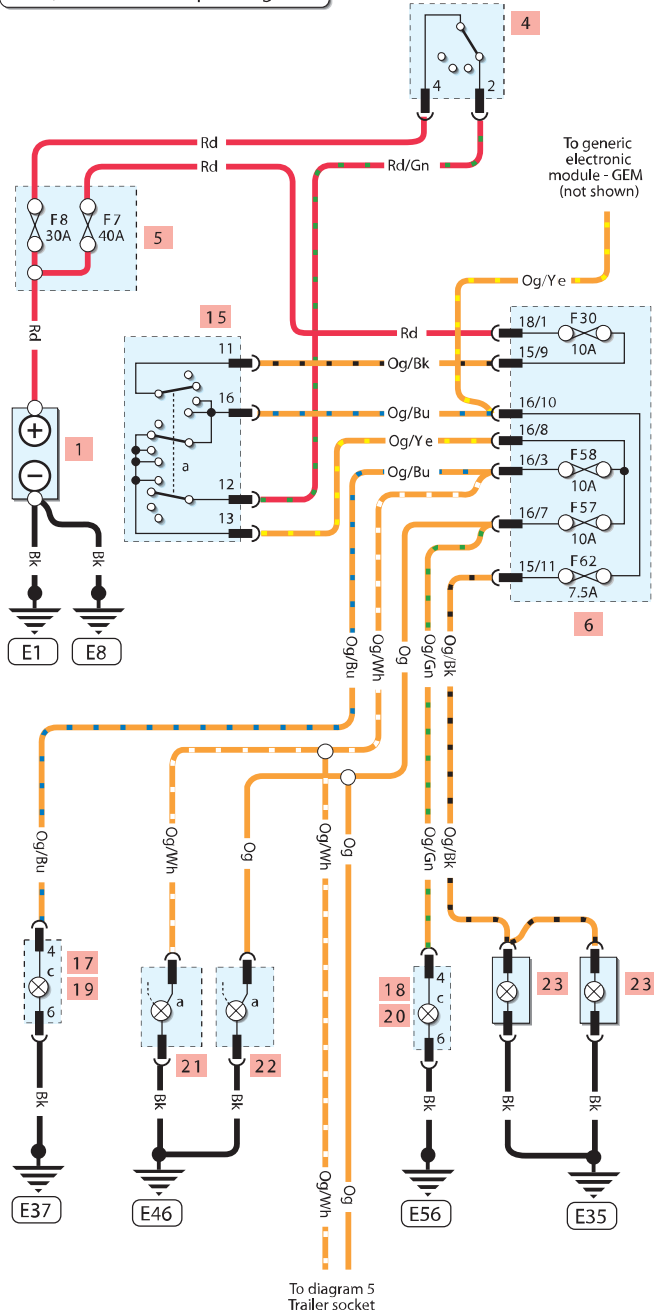
Key to items

- | | | |
|-------------------------------------|-------------------------|------------------------|
| 1 Battery | 17 LH headlight | 20 RH xenon light unit |
| 4 Ignition switch | a = dip beam | (as above) |
| 5 Engine fusebox | b = main beam | 21 LH rear light unit |
| R36 = dip beam relay | c = side light | a = stop/tail light |
| R37 = main beam relay | 18 RH headlight unit | 22 RH rear light unit |
| 6 Passenger fusebox | (as above) | (as above) |
| 15 Light switch | 19 LH xenon light unit | 23 Number plate light |
| a = side/headlight switch | a = discharge headlight | |
| 16 Direction indicator switch | b = high beam | |
| a = headlight dip/main/flash switch | c = side light | |
| | f = light shield | |

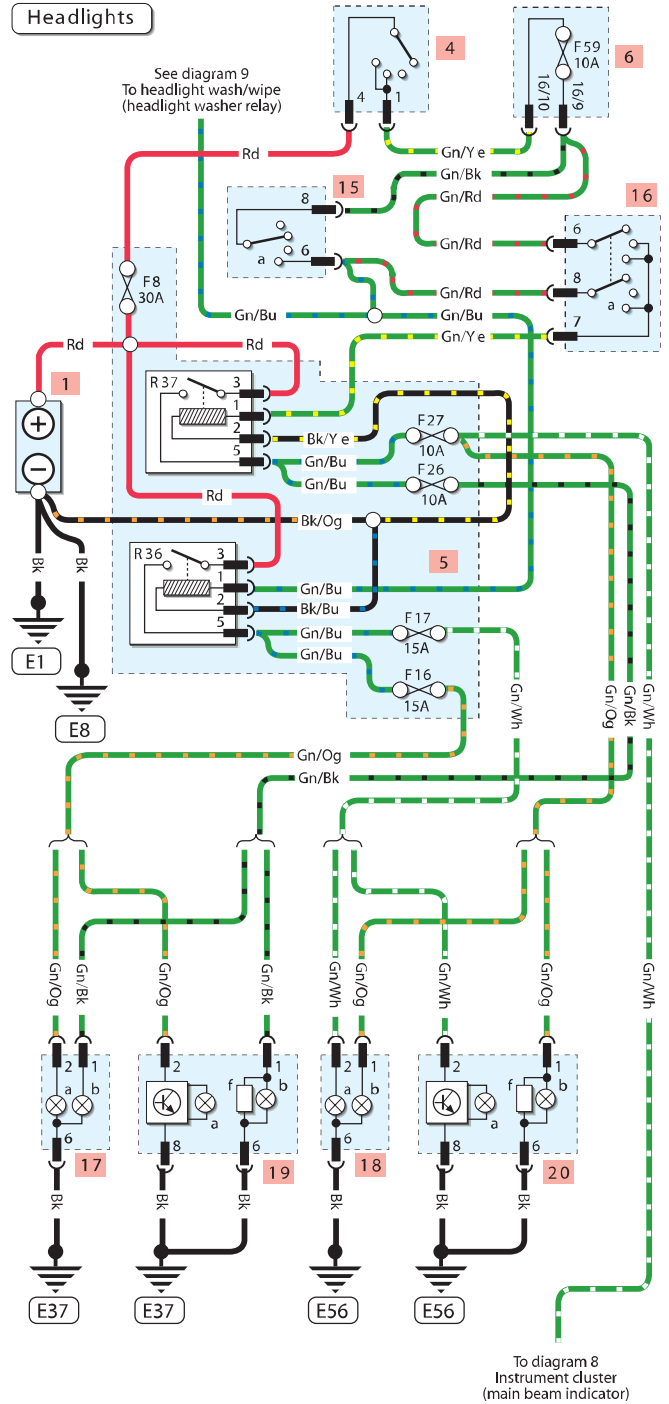
Diagram 3

H32895

Side, tail & number plate lights



Headlights



Wire colours

Bk Black	Vt Violet
Gn Green	Rd Red
Pk Pink	Gy Grey
Lg Light green	Bu Blue
Bn Brown	Wh White
Og Orange	Ye Yellow
Na Natural	Sr Silver

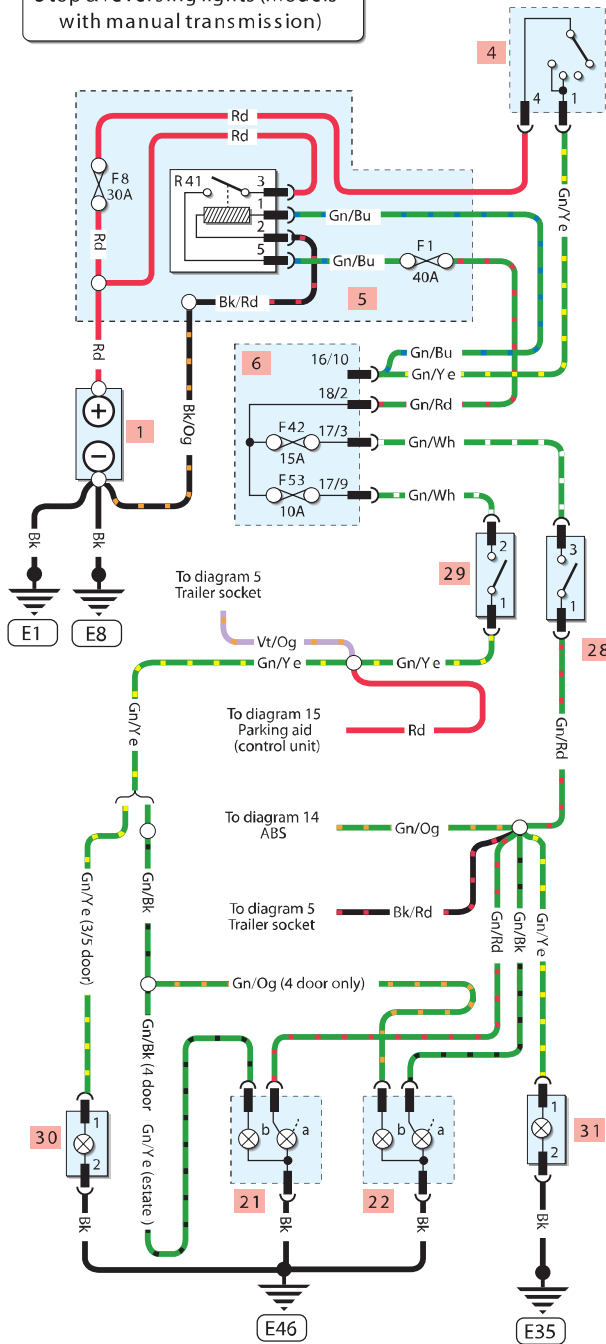
Key to items

- | | |
|-----------------------------------|------------------------------------|
| 1 Battery | 22 RH rear light unit |
| 4 Ignition switch | (as above) |
| 5 Engine fusebox | 28 Stop light switch |
| R13 = power hold relay | 29 Reversing light switch (manual) |
| R41 = ignition relay | 30 Reversing light |
| D33 = diode | 31 High level brake light |
| 6 Passenger fusebox | |
| 7 Starter inhibitor switch (auto) | |
| 21 LH rear light unit | |
| a = stop/tail light | |
| b = reversing light | |

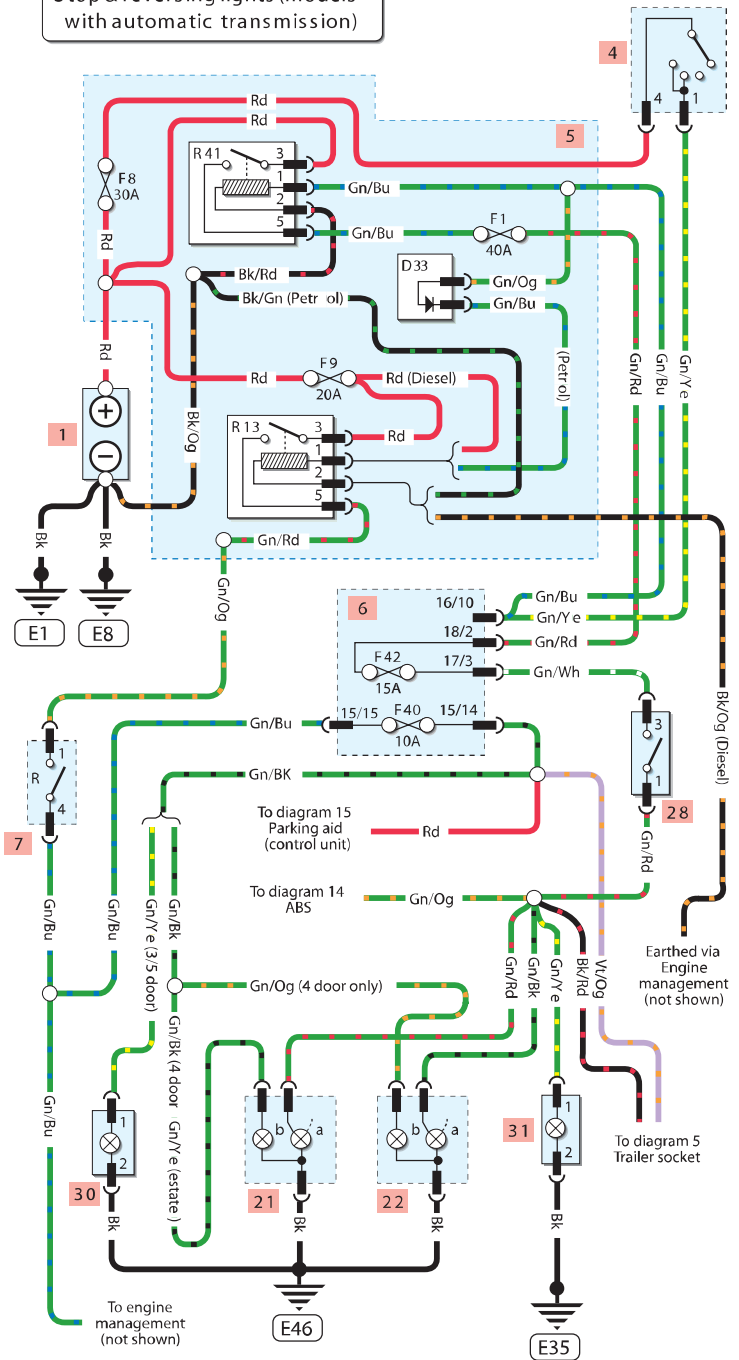
Diagram 4

H32896

Stop & reversing lights (models with manual transmission)



Stop & reversing lights (models with automatic transmission)



Wire colours

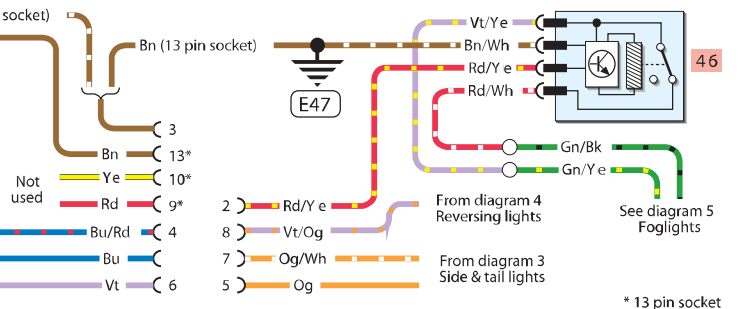
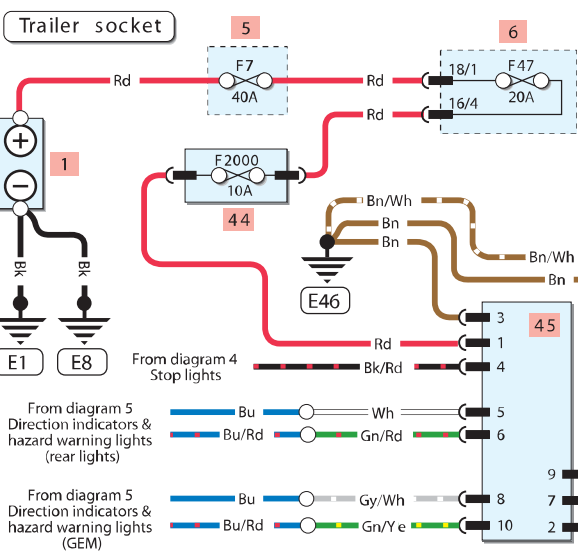
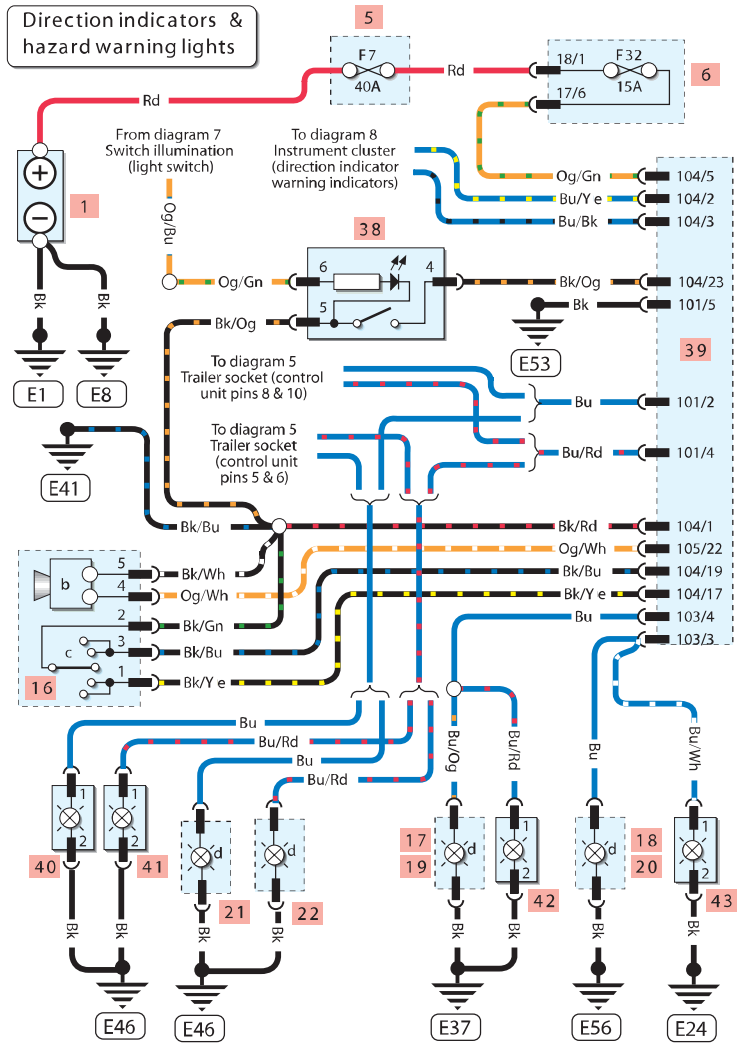
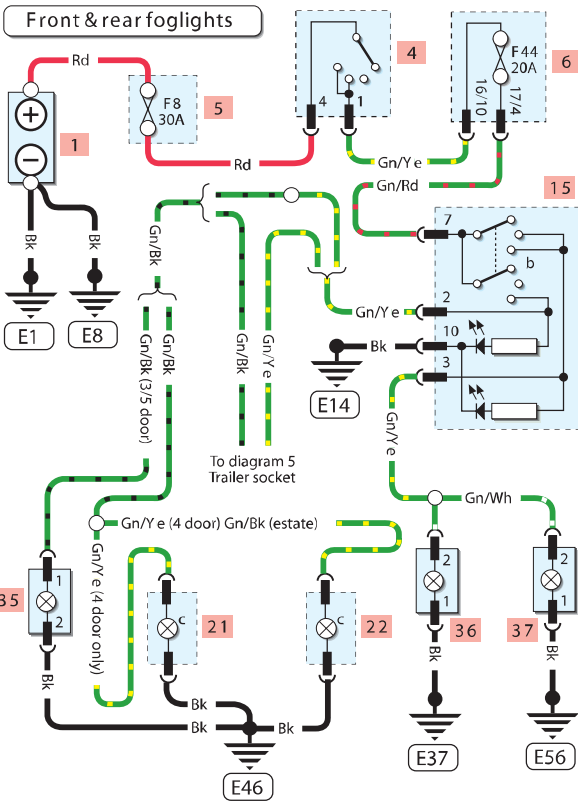
Bk Black	Vt Violet
Gn Green	Rd Red
Pk Pink	Gy Grey
Lg Light green	Bu Blue
Bn Brown	Wh White
Og Orange	Ye Yellow
Na Natural	Sr Silver

Key to items

1 Battery	18 RH headlight (as above)	35 Rear foglight	46 Rear foglight cut-off relay
4 Ignition switch	19 LH xenon light unit	36 LH front foglight	47 Trailer socket
5 Engine fusebox	d = direction indicator	37 RH front foglight	
6 Passenger fusebox	20 RH xenon light unit (as above)	38 Hazard warning switch	
15 Light switch	21 LH rear light unit	39 Generic electronic module (GEM)	
16 Direction indicator switch	b = foglight	40 LH rear direction indicator	
b = buzzer	c = indicator switch	41 RH rear direction indicator	
c = indicator switch	d = direction indicator	42 LH indicator side repeater	
17 LH headlight (as above)	22 RH rear light unit (as above)	43 RH indicator side repeater	
d = direction indicator		44 In-line fuse	
		45 Trailer control unit	

Diagram 5

H32897



From diagram 4
Stop lights

From diagram 5
Direction indicators & hazard warning lights (rear lights)

From diagram 5
Direction indicators & hazard warning lights (GEM)

From diagram 4
Reversing lights

From diagram 3
Side & tail lights

See diagram 5
Foglights

* 13 pin socket

Wire colours

Bk Black	Vt Violet
Gn Green	Rd Red
Pk Pink	Gy Grey
Lg Light green	Bu Blue
Bn Brown	Wh White
Og Orange	Ye Yellow
Na Natural	Sr Silver

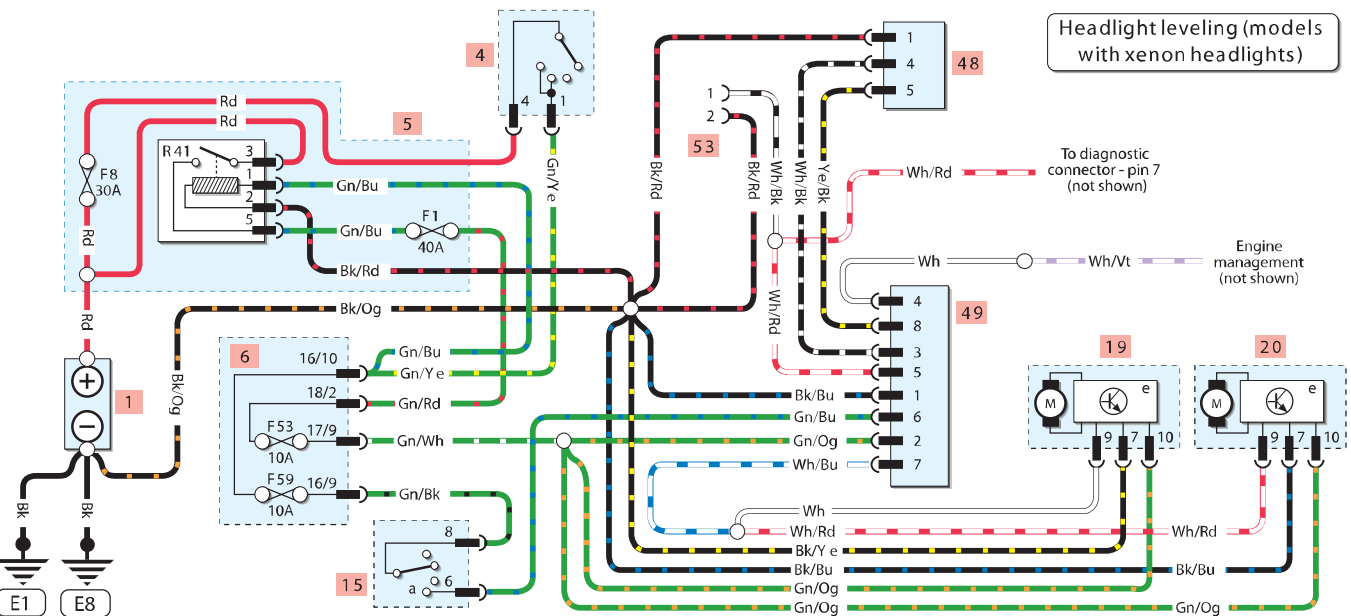
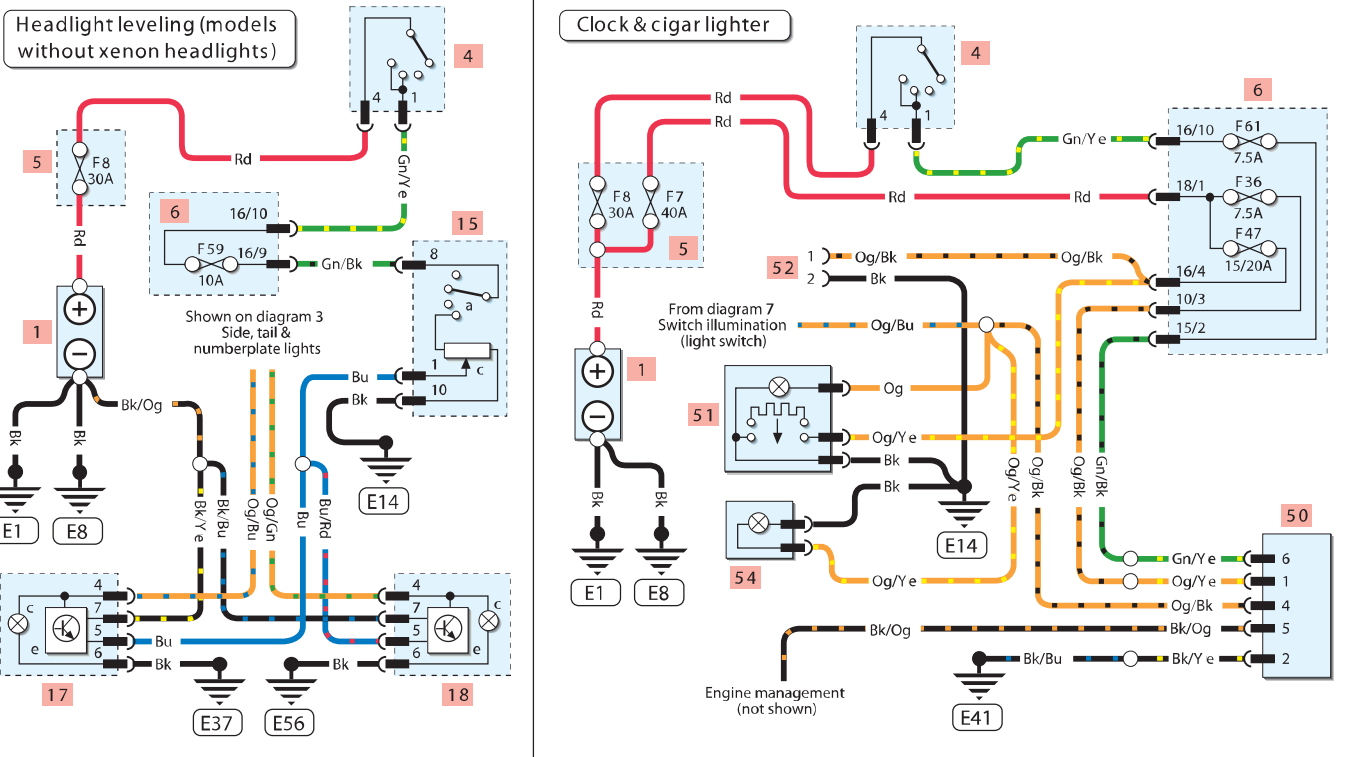
Key to items

- 1 Battery
- 4 Ignition switch
- 5 Engine fusebox
- 6 Passenger fusebox
- 15 Light switch
- 17 LH headlight
- 18 RH headlight
- 48 Xenon headlight control unit/
front leveling sensor
- 49 Rear headlight leveling sensor
- 50 Clock with alarm indicator

- 51 Cigar lighter
- 52 Auxiliary power point
- 53 Xenon headlight diagnostic socket
- 54 Ashtray light

Diagram 6

H32898



Wire colours

Bk Black	Vt Violet
Gn Green	Rd Red
Pk Pink	Gy Grey
Lg Light green	Bu Blue
Bn Brown	Wh White
Og Orange	Ye Yellow
Na Natural	Sr Silver

Key to items

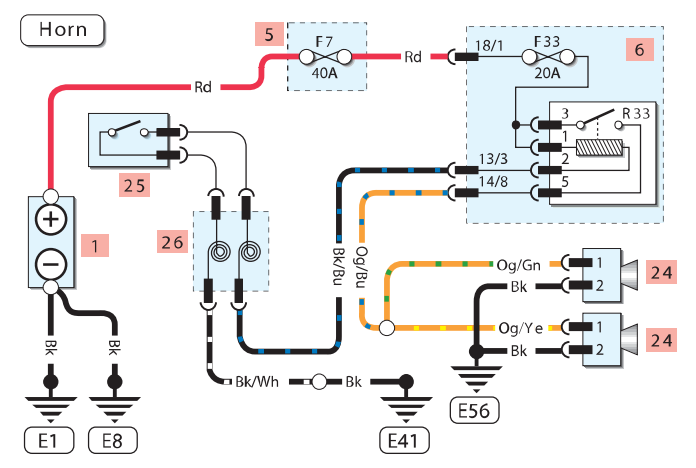
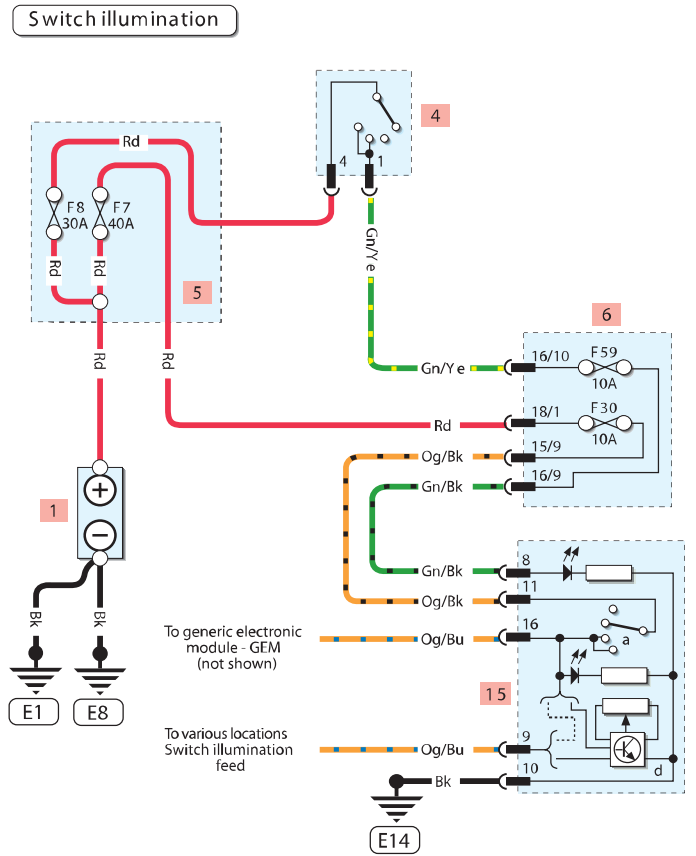
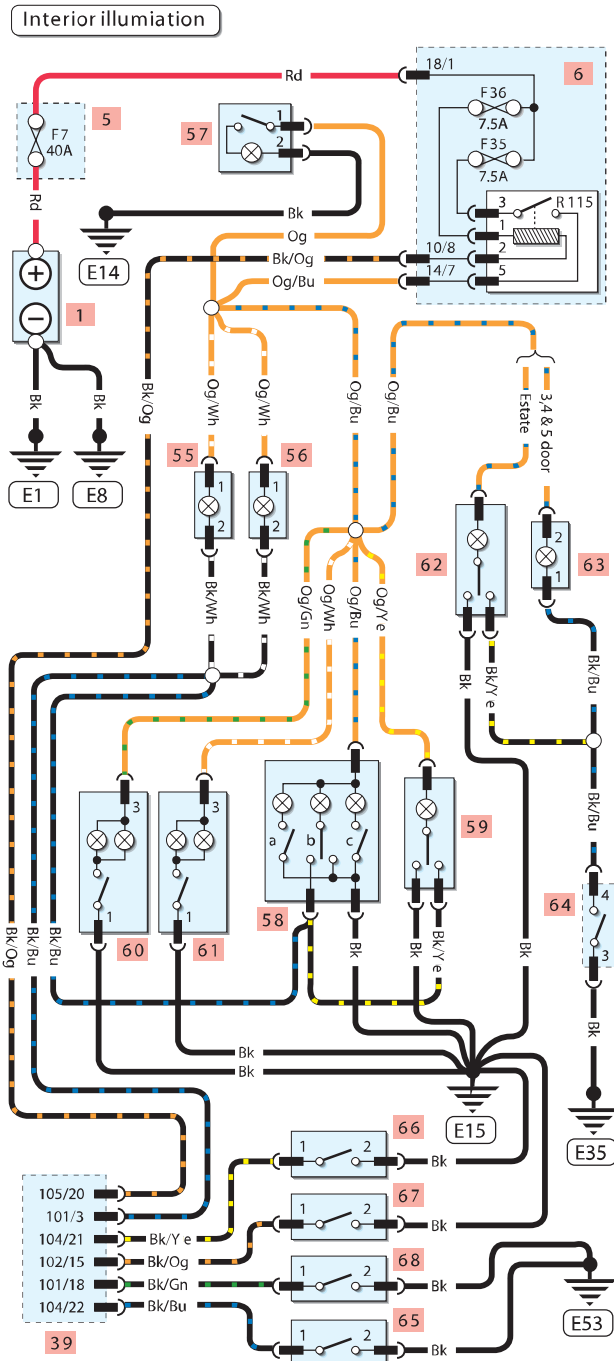
- 1 Battery
- 4 Ignition switch
- 5 Engine fusebox
- R33 = horn relay
- R41 = ignition relay
- R115 = battery saving relay
- 6 Passenger fusebox
- 15 Light switch
- a = side/headlight switch
- d = interior lighting rheostat (if fitted)
- 24 Horn

- 25 Horn switch
- 26 Steering wheel clock springs
- 39 Generic electronic module (GEM)
- 55 LH footwell light
- 56 RH footwell light
- 57 Glovebox light
- 58 Front interior light
- a = LH map reading light
- b = interior light
- c = RH map reading light
- 59 Rear interior light

- 60 LH vanity mirror
- 61 RH vanity mirror
- 62 Cargo space light
- 63 Luggage compartment light
- 64 Tailgate switch
- 65 Driver's door switch
- 66 Passenger's door switch
- 67 LH rear door switch
- 68 RH rear door switch

Diagram 7

H32899



Wire colours

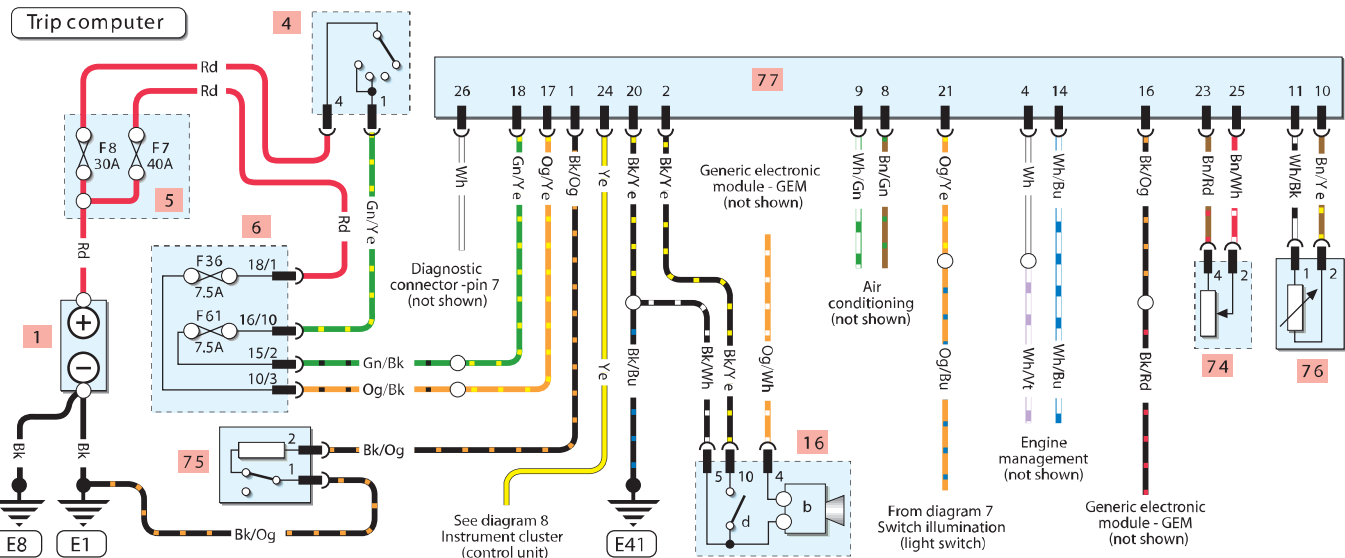
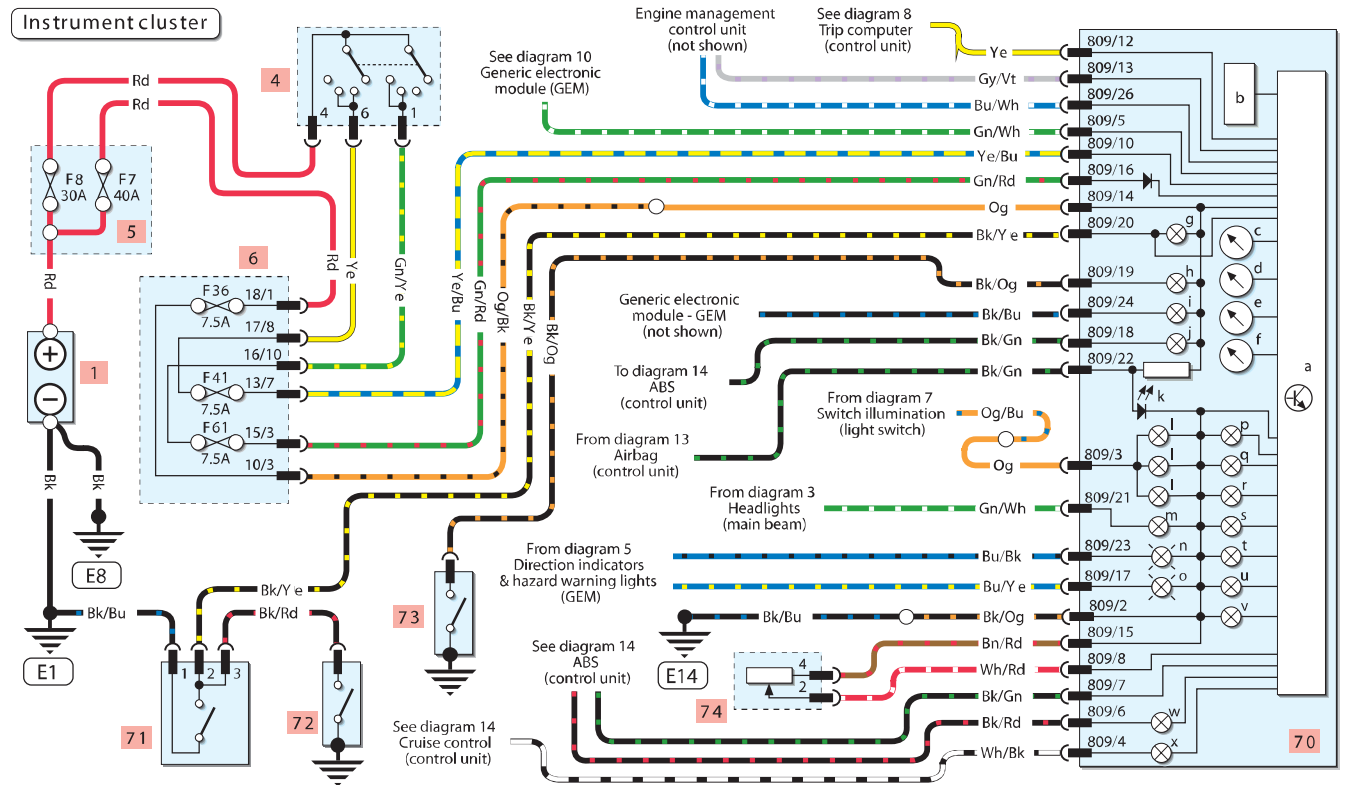
Bk Black	Vt Violet
Gn Green	Rd Red
Pk Pink	Gy Grey
Lg Light green	Bu Blue
Bn Brown	Wh White
Og Orange	Ye Yellow
Na Natural	Sr Silver

Key to items

1 Battery	d = tachometer	n = LH direction indicator	71 Low brake fluid switch
4 Ignition switch	e = speedometer	o = RH direction indicator	72 Handbrake switch
5 Engine fusebox	f = fuel gauge	p = illumination	73 Oil pressure switch
6 Passenger fusebox	g = low brake fluid/handbrake indicator	q = malfunction indicator	74 Fuel gauge sender unit
16 Direction indicator switch	h = oil pressure indicator	r = low fuel indicator	75 Low washer fluid switch
b = buzzer	i = door ajar indicator	s = engine fault indicator	76 Ice warning sensor
d = trip computer switch	j = TCS indicator	t = glow plug indicator	77 Trip computer control unit
70 Instrument cluster	k = airbag warning indicator	u = charge indicator	
a = control unit	l = instrument illumination	v = O/D off indicator	
b = LCD display	m = main beam indicator	w = ABS indicator	
c = coolant temp. gauge		x = cruise control indicator	

Diagram 8

H32900



Wire colours

Bk Black	Vt Violet
Gn Green	Rd Red
Pk Pink	Gy Grey
Lg Light green	Bu Blue
Bn Brown	Wh White
Og Orange	Ye Yellow
Na Natural	Sr Silver

Key to items

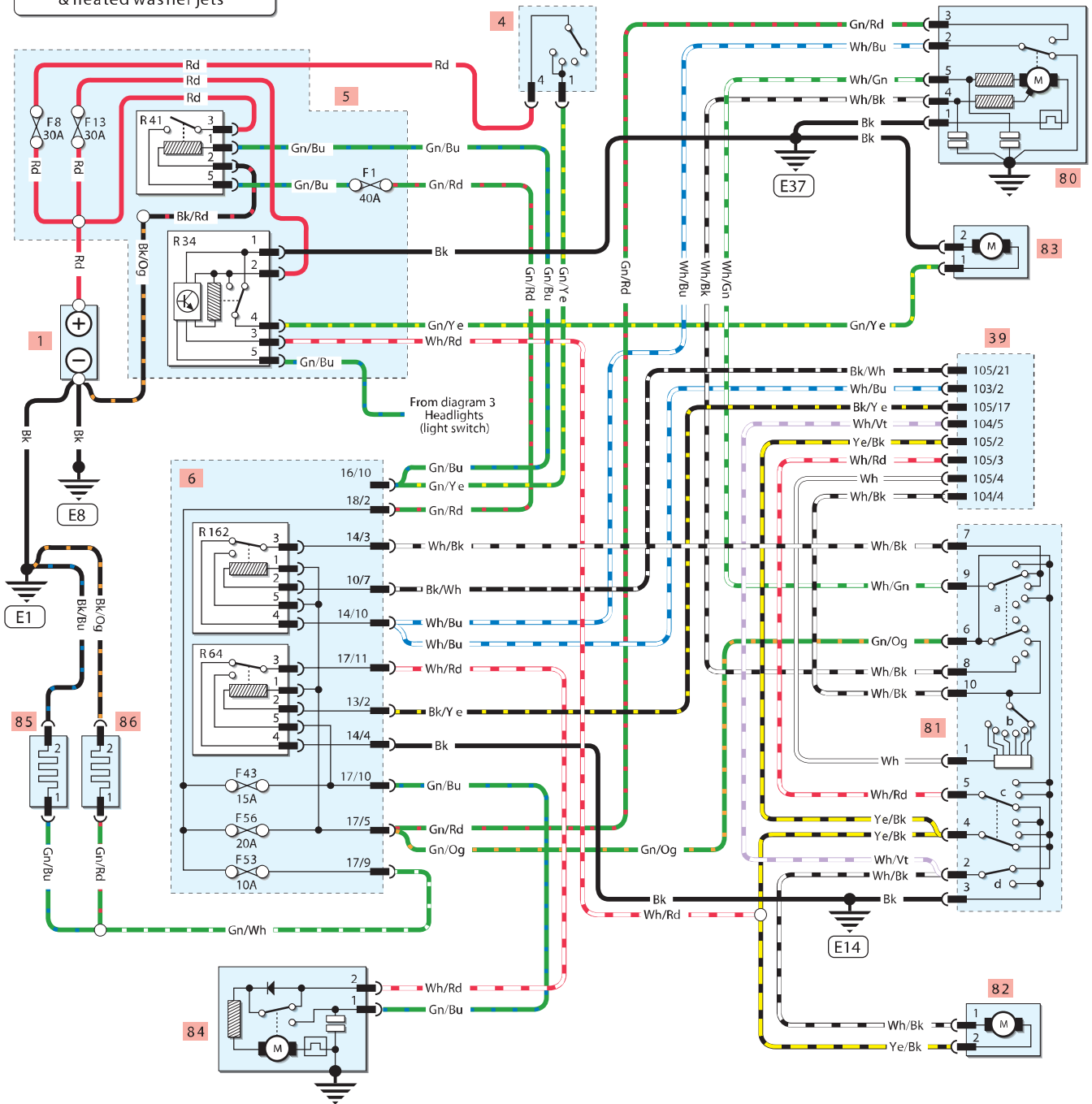
- | | |
|------------------------------------|------------------------------|
| 1 Battery | 80 Front wiper motor |
| 4 Ignition switch | 81 Wash/wipe switch |
| 5 Engine fusebox | a = front wiper |
| R34 = headlight washer relay | b = intermittent wiper delay |
| R41 = ignition relay | c = rear wash/wipe |
| 6 Passenger fusebox | d = front washer |
| R64 = rear wiper relay | 82 Front/rear washer pump |
| R162 = front wiper relay | 83 Headlight washer pump |
| 39 Generic electronic module (GEM) | 84 Rear wiper motor |

- | |
|-------------------------|
| 85 LH heated washer jet |
| 86 RH heated washer jet |

Diagram 9

H32901

Wash/wipe, headlight washer & heated washer jets



Wire colours

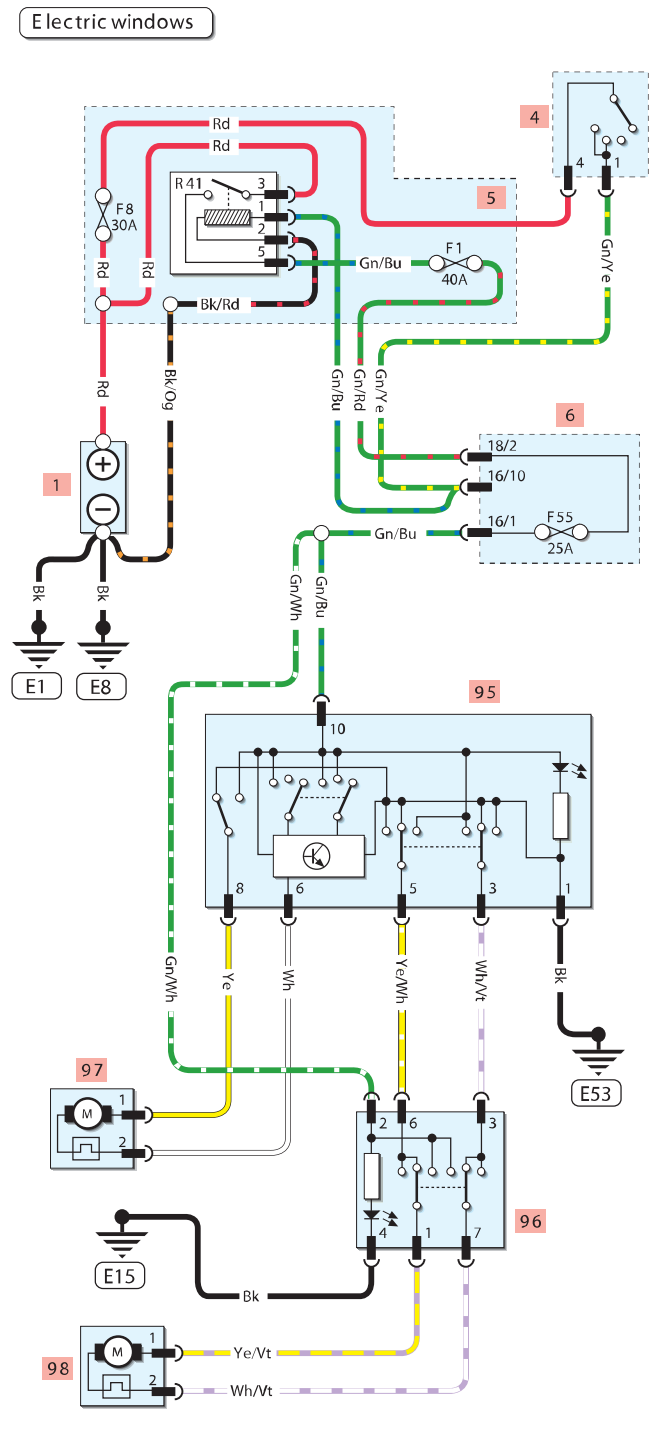
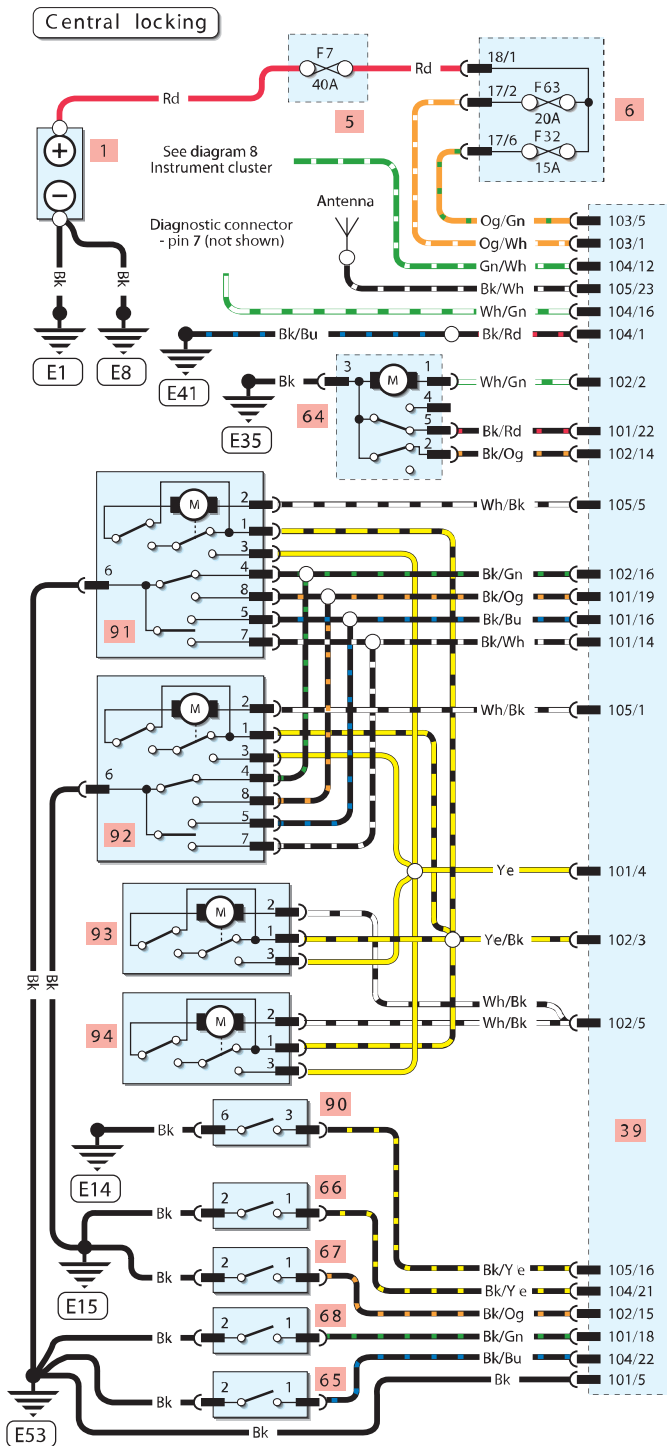
Bk Black	Vt Violet
Gn Green	Rd Red
Pk Pink	Gy Grey
Lg Light green	Bu Blue
Bn Brown	Wh White
Og Orange	Ye Yellow
Na Natural	Sr Silver

Key to items

- | | | |
|------------------------------------|-----------------------------------|------------------------------|
| 1 Battery | 67 LH rear door switch | 96 Passenger's window switch |
| 4 Ignition switch | 68 RH rear door switch | 97 Driver's window motor |
| 5 Engine fusebox | 90 Tailgate release switch | 98 Passenger's window motor |
| 6 Passenger fusebox | 91 Driver's door lock assembly | |
| 39 Generic electronic module (GEM) | 92 Passenger's door lock assembly | |
| 64 Tailgate switch | 93 LH rear door lock assembly | |
| 65 Driver's door switch | 94 RH rear door lock assembly | |
| 66 Passenger's door switch | 95 Driver's window switch | |

Diagram 10

H32902



Wire colours

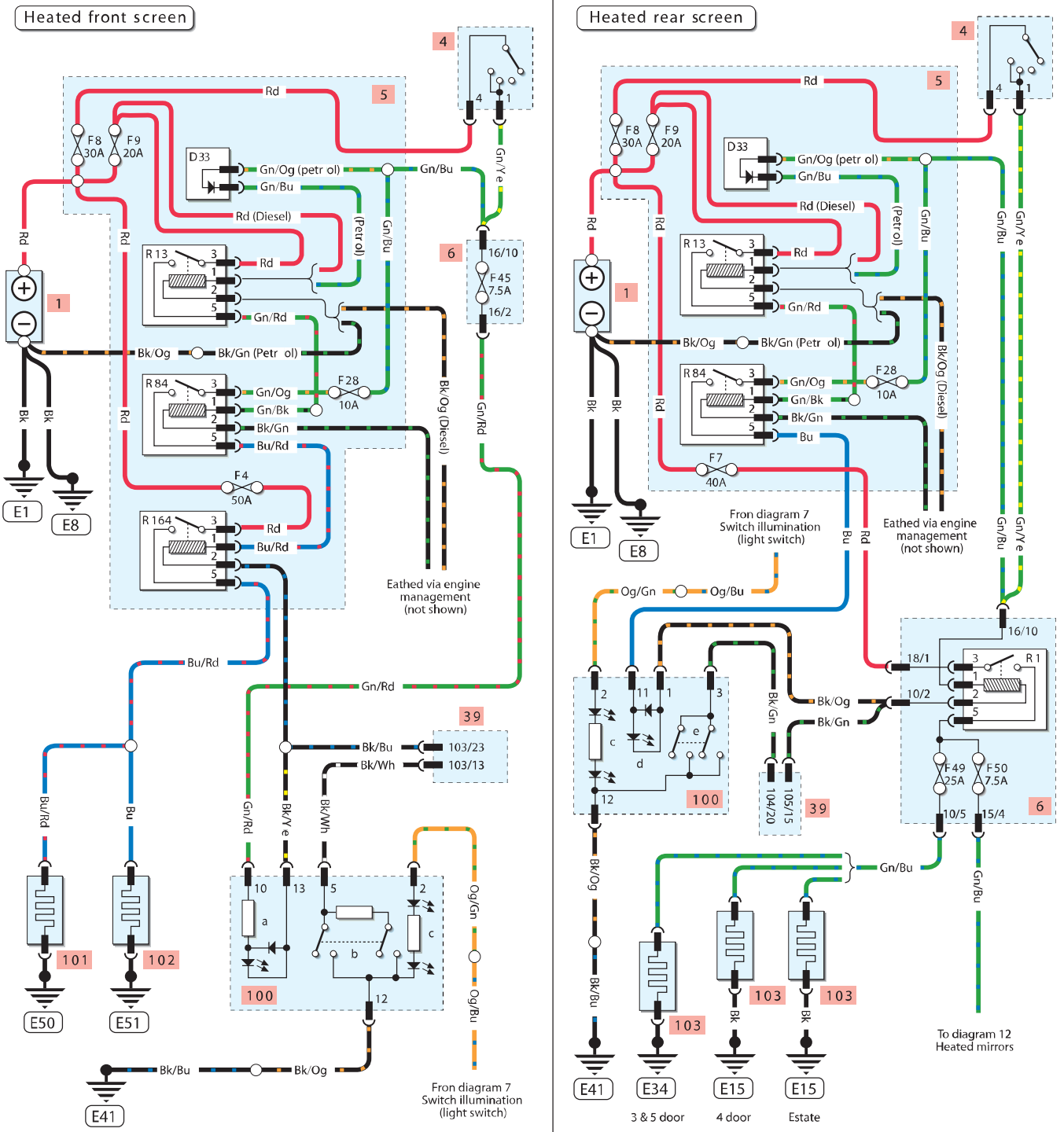
Bk Black	Vt Violet
Gn Green	Rd Red
Pk Pink	Gy Grey
Lg Light green	Bu Blue
Bn Brown	Wh White
Og Orange	Ye Yellow
Na Natural	Sr Silver

Key to items

- | | |
|----------------------------------|--|
| 1 Battery | 39 Generic electronic module (GEM) |
| 4 Ignition switch | 100 Heater control module |
| 5 Engine fusebox | a = front screen heater 'on' indicator |
| R13 = power hold relay | b = front screen heater switch |
| R84 = engine run relay | c = switch illumination |
| R164 = heated front screen relay | d = rear screen heater 'on' indicator |
| D33 = diode | e = rear screen heater switch |
| 6 Passenger fusebox | 101 LH heated screen element |
| R1 = heated rear screen relay | 102 RH heated screen element |

Diagram 11

H32903



Wire colours

Bk Black	Vt Violet
Gn Green	Rd Red
Pk Pink	Gy Grey
Lg Light green	Bu Blue
Bn Brown	Wh White
Og Orange	Ye Yellow
Na Natural	Sr Silver

Key to items

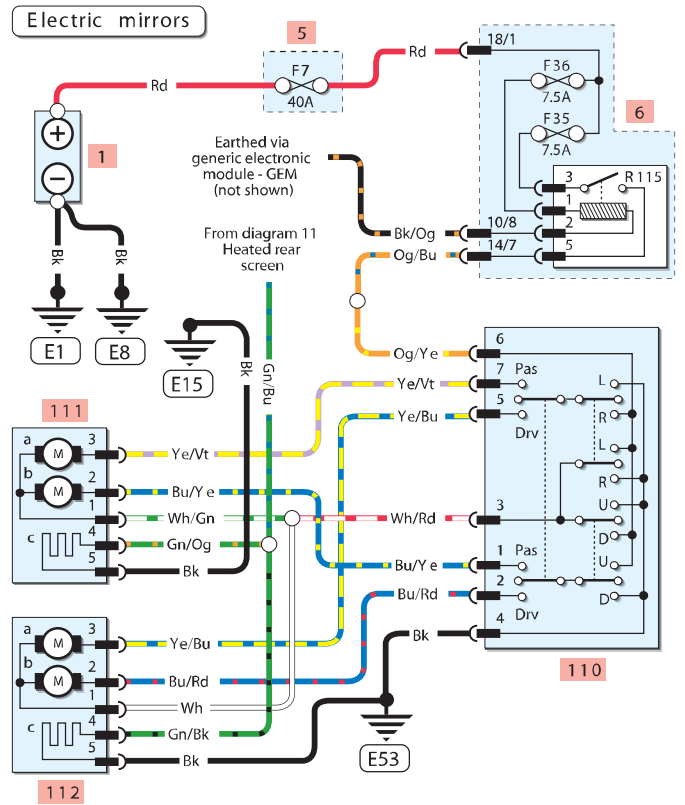
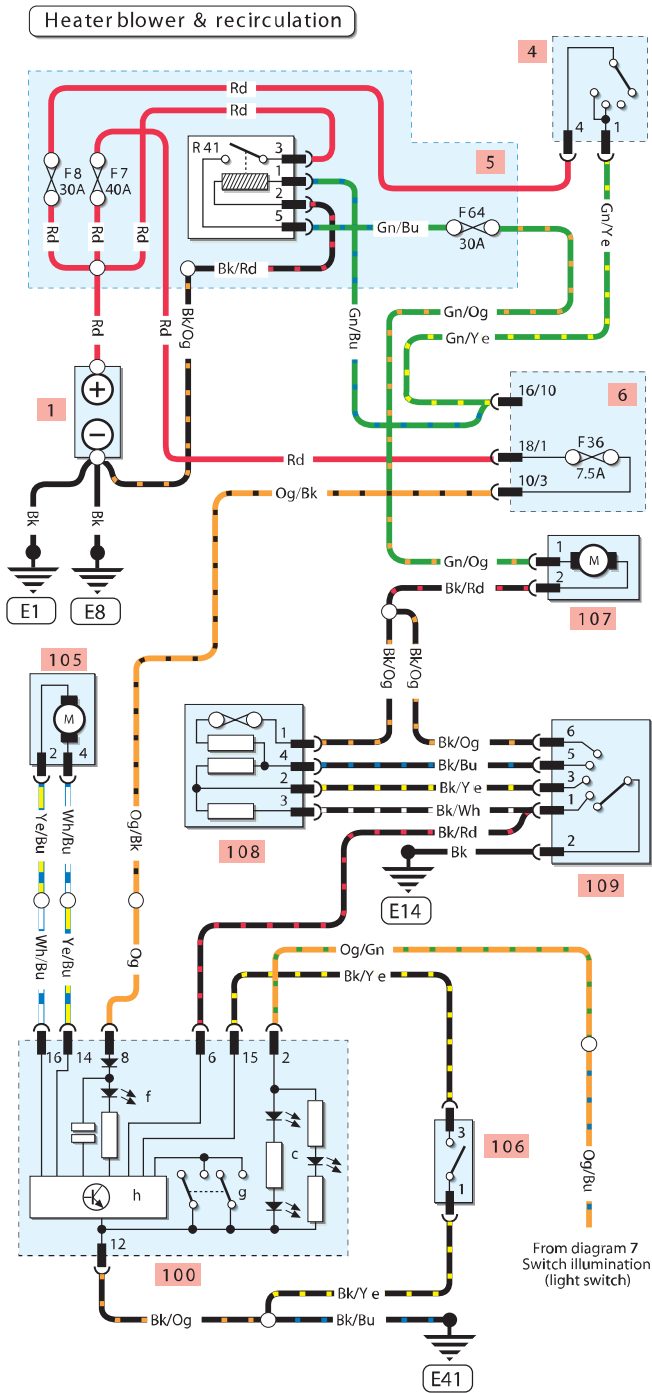
- 1 Battery
- 4 Ignition switch
- 5 Engine fusebox
- 6 Passenger fusebox
- 100 Heater control module
- c = switch illumination
- f = recirculation 'on' indicator
- g = recirculation switch
- h = control unit

- 105 Recirculation air actuator
- 106 Demisting switch
- 107 Heater blower motor
- 108 Heater blower resistor pack
- 109 Heater blower switch
- 110 Electric mirror control switch
- 111 LH mirror assembly
- a = left/right motor
- b = up/down motor
- c = heater element

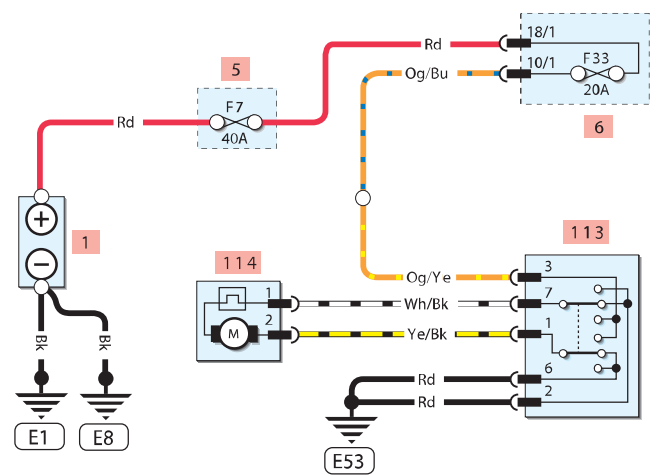
- 112 LH mirror assembly
- a = left/right motor
- b = up/down motor
- c = heater element
- 113 Driver's seat height adjustment switch
- 114 Driver's seat height adjustment motor

Diagram 12

H32904



Seat height adjustment



Wire colours

Bk Black	Vt Violet
Gn Green	Rd Red
Pk Pink	Gy Grey
Lg Light green	Bu Blue
Bn Brown	Wh White
Og Orange	Ye Yellow
Na Natural	Sr Silver

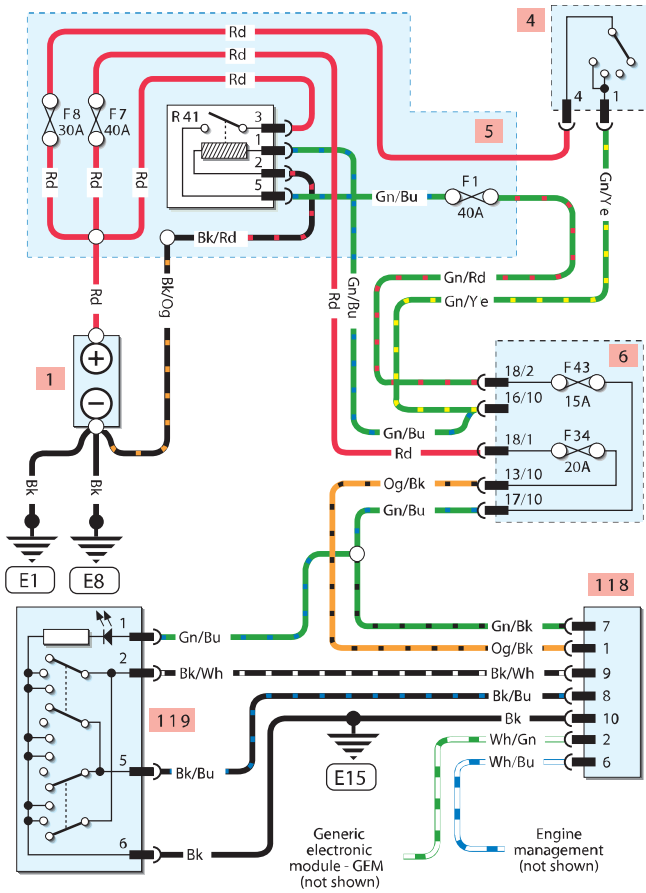
Key to items

1 Battery	120 Audio unit	128 Driver's airbag unit
4 Ignition switch	121 LH front speaker	129 Passenger's airbag unit
5 Engine fusebox	122 LH rear speaker	130 LH side airbag unit
R41 = ignition relay	123 RH front speaker	131 LH side airbag crash sensor
6 Passenger fusebox	124 RH rear speaker	132 RH side airbag unit
26 Steering wheel clock springs	125 Remote audio controls	133 RH side airbag crash sensor
118 Sunroof unit	126 SRS control module	134 Driver's seatbelt pretensioner
119 Sunroof switch	127 Forward crash sensor	135 Passenger's seatbelt pretensioner

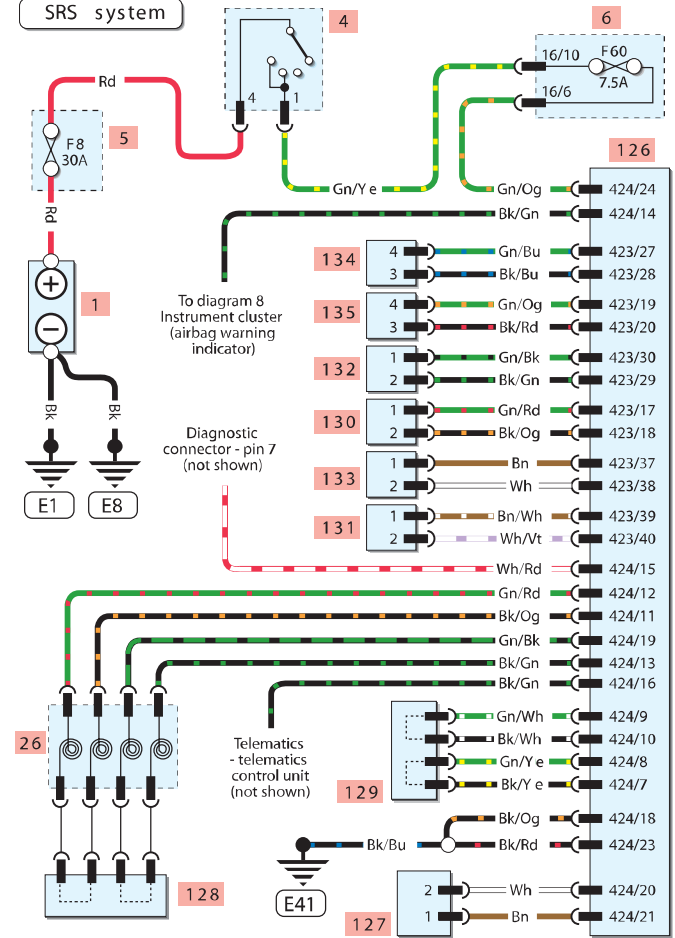
Diagram 13

H32905

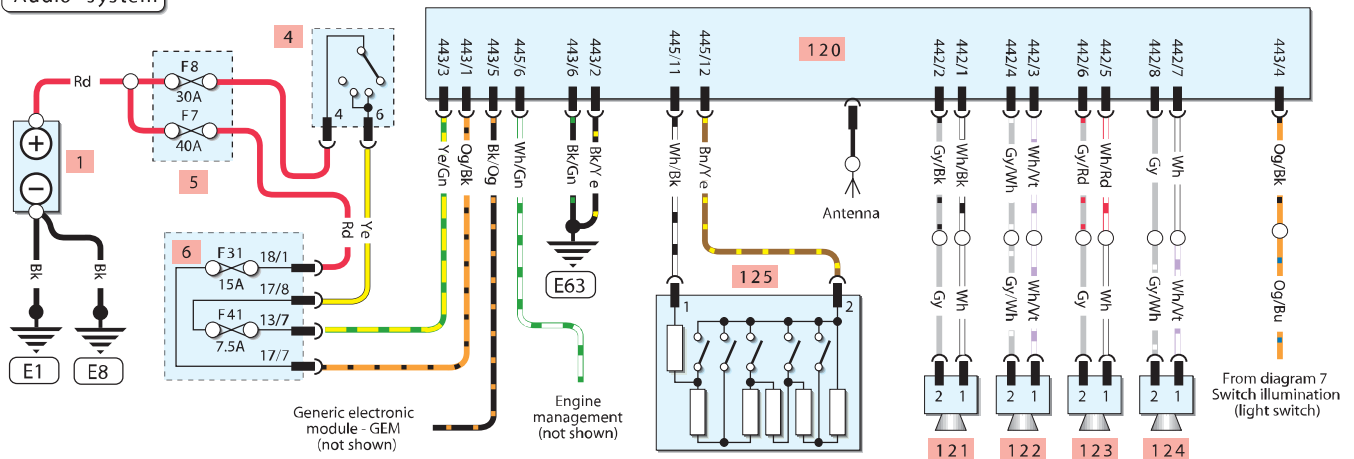
Sunroof



SRS system



Audio system



Wire colours

Bk Black	Vt Violet
Gn Green	Rd Red
Pk Pink	Gy Grey
Lg Light green	Bu Blue
Bn Brown	Wh White
Og Orange	Ye Yellow
Na Natural	Sr Silver

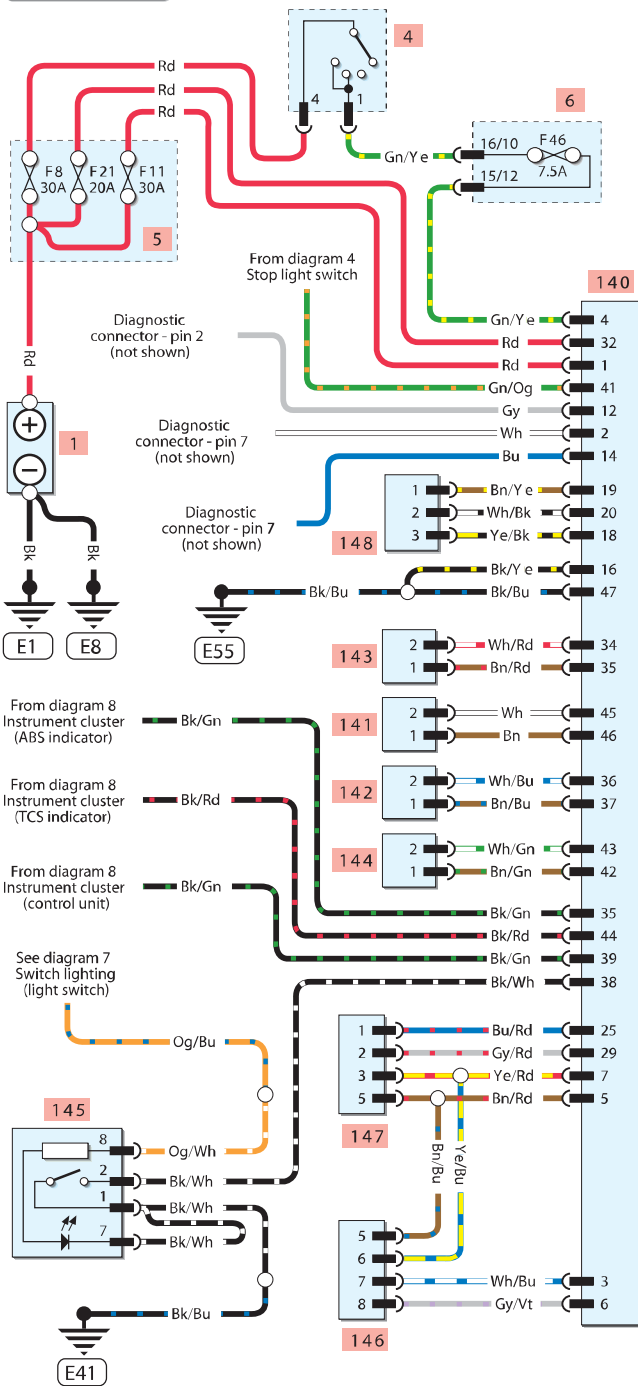
Key to items

1 Battery	140 ABS/ESP control unit
4 Ignition switch	141 LH front wheel sensor
5 Engine fusebox	142 LH rear wheel sensor
R13 = power hold relay	143 RH front wheel sensor
R41 = ignition relay	144 RH rear wheel sensor
D33 = diode	145 TCS/ESP switch
6 Passenger fusebox	146 Steering wheel position sensor (ESP only)
26 Steering wheel clock springs	147 Yaw rate acceleration sensor (ESP only)
28 Stop light switch	148 Primary brake pressure sensor (ESP only)

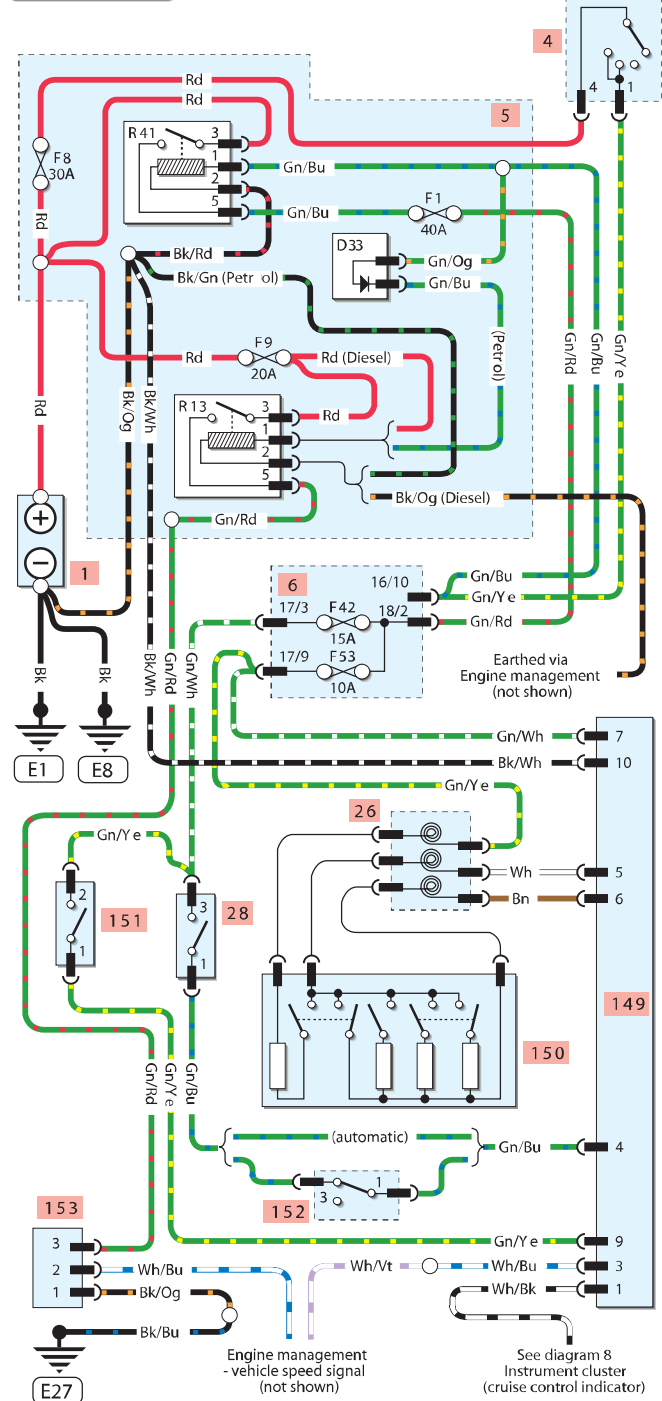
Diagram 14

H32906

ABS/TCS/ESP



Cruise control



Wire colours

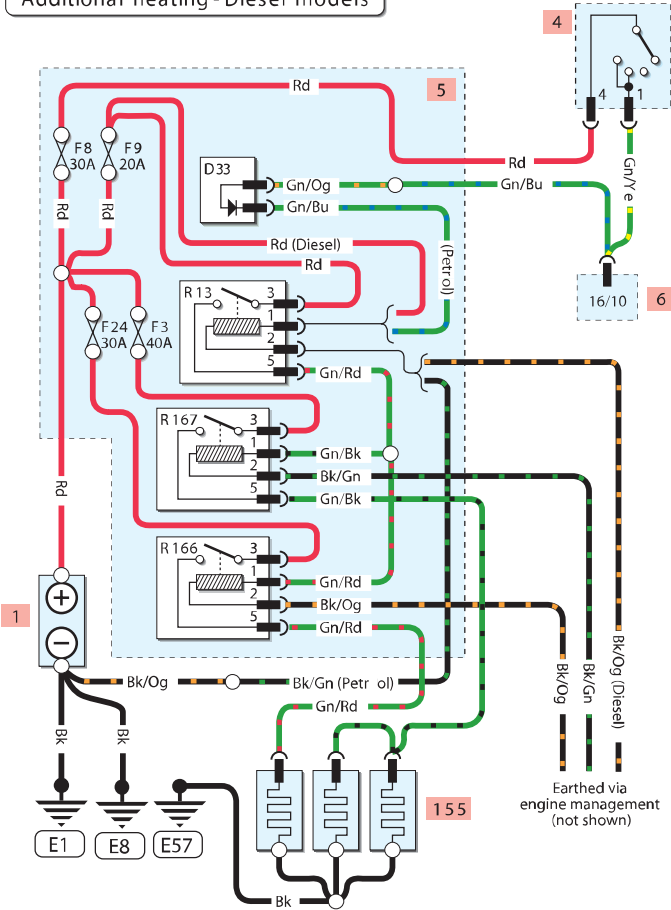
Bk Black	Vt Violet
Gn Green	Rd Red
Pk Pink	Gy Grey
Lg Light green	Bu Blue
Bn Brown	Wh White
Og Orange	Ye Yellow
Na Natural	Sr Silver

Key to items

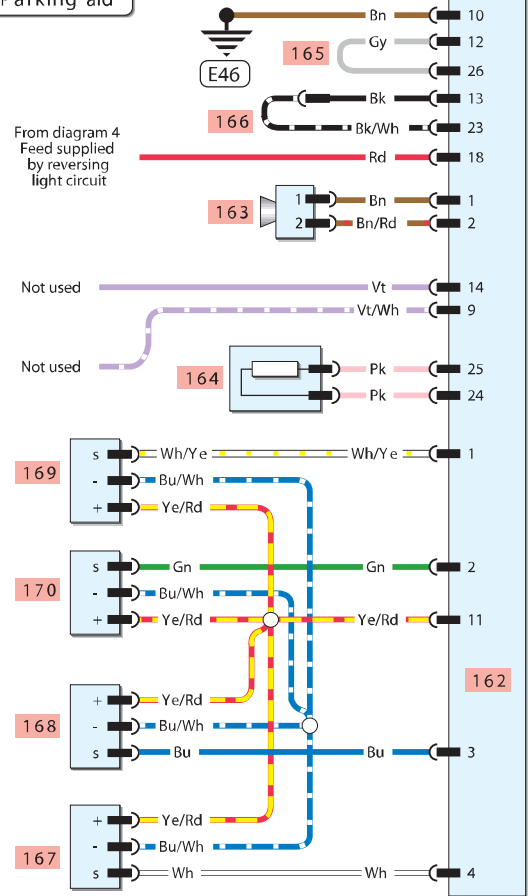
1 Battery	156 Driver's seat heater switch
4 Ignition switch	157 Driver's seat cushion heater
5 Engine fusebox	158 Driver's seat back heater
R13 = power hold relay	159 Passenger's seat heater switch
R166 = glow plug heater relay 1	160 Passenger's seat cushion heater
R167 = glow plug heater 2	161 Passenger's seat back heater
D33 = diode	162 Parking aid control unit
6 Passenger fusebox	163 Parking aid speaker
155 Auxiliary coolant heaters	164 Resistor (680 ohm)

165 Loudness control
166 Distance select
167 Distance sensor (outer LH)
168 Distance sensor (inner LH)
169 Distance sensor (outer RH)
170 Distance sensor (inner RH)

Additional heating - Diesel models



Parking aid



Heated seats

